

# ネットワークカメラ クイックガイド

TNV-C8011RW



## Important

Please check 'Manuals' from our website, before connecting to the Supply,  
<https://www.hanwhavision.com/en/download-data/>

## Warranty

Please check "Product warranty information" from our website.  
<https://www.hanwhavision.com/en/support/warranty/>

We recommend to use the officially compatible VMS version or latest Hanwha NVR version when integrating with VMS or Hanwha NVR.

The Risk Group 1 of a LEDs include in the equipment, so should be attached RG1 warning label at the end-product.



Hanwha Vision cares for the environment at all product manufacturing stages, and is taking measures to provide customers with more environmentally friendly products.

The Eco mark represents Hanwha Vision's devotion to creating environmentally friendly products, and indicates that the product satisfies the EU RoHS Directive.



### Correct Disposal of This Product (Waste Electrical & Electronic Equipment)

(Applicable in the European Union and other European countries with separate collection systems)

This marking on the product, accessories or literature indicates that the product and its electronic accessories (e.g. charger, headset, USB cable) should not be disposed of with other household waste at the end of their working life. To prevent possible harm to the environment or human health from uncontrolled waste disposal, please separate these items from other types of waste and recycle them responsibly to promote the sustainable reuse of material resources.

Household users should contact either the retailer where they purchased this product, or their local government office, for details of where and how they can take these items for environmentally safe recycling.

Business users should contact their supplier and check the terms and conditions of the purchase contract.

This product and its electronic accessories should not be mixed with other commercial wastes for disposal.



### Correct disposal of batteries in this product

(Applicable in the European Union and other European countries with separate battery return systems.)

This marking on the battery, manual or packaging indicates that the batteries in this product should not be disposed of with other household waste at the end of their working life. Where marked, the chemical symbols Hg, Cd or Pb indicate that the battery contains mercury, cadmium or lead above the reference levels in EC Directive 2006/66. If batteries are not properly disposed of, these substances can cause harm to human health or the environment.

To protect natural resources and to promote material reuse, please separate batteries from other types of waste and recycle them through your local, free battery return system.

# SAFETY INFORMATION

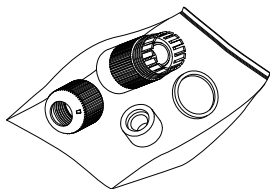
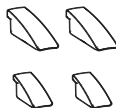
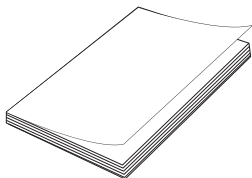
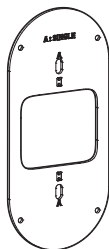
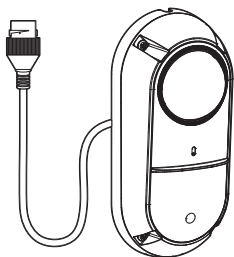
---



## COMPONENT

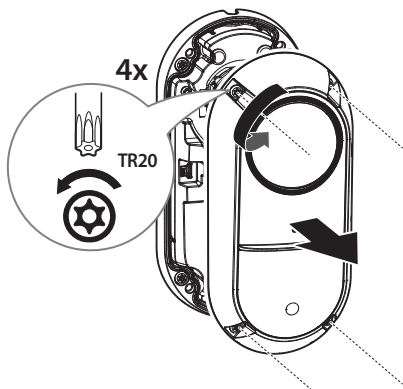
---

販売国ごとに付属品が異なるため。



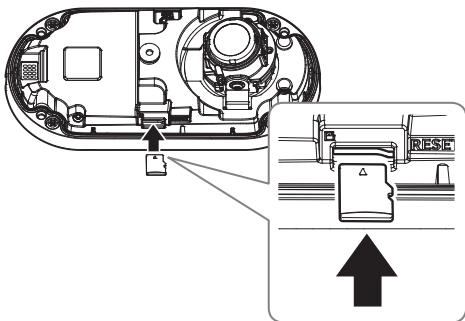
# INSTALLATION

1



2

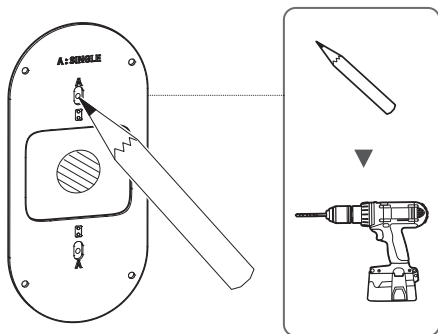
- 設定含まない: Micro SDカード



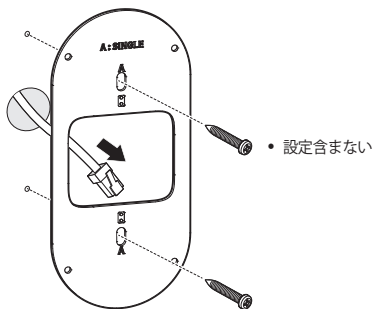
## INSTALLATION

3

- 壁に直接取り付ける



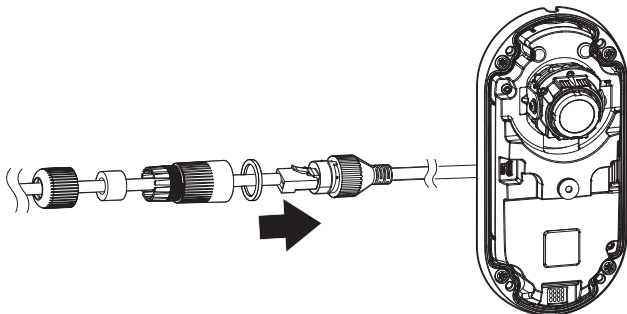
4



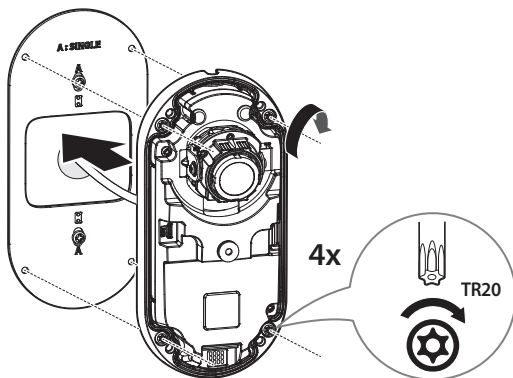
6

## INSTALLATION

5



6



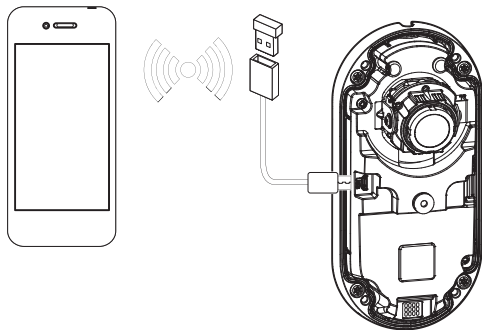
7

## INSTALLATION

---

7

- 設定含まない:Wi-Fi Dongle、OTGアダプター



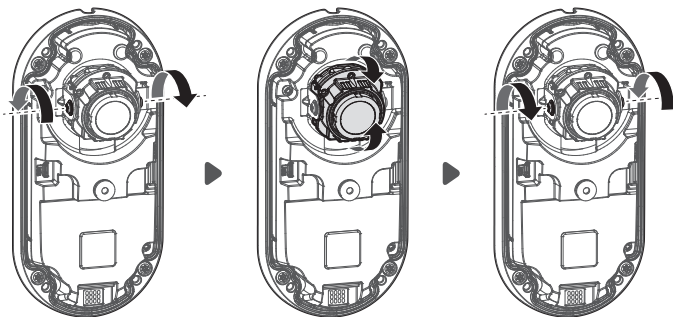
8



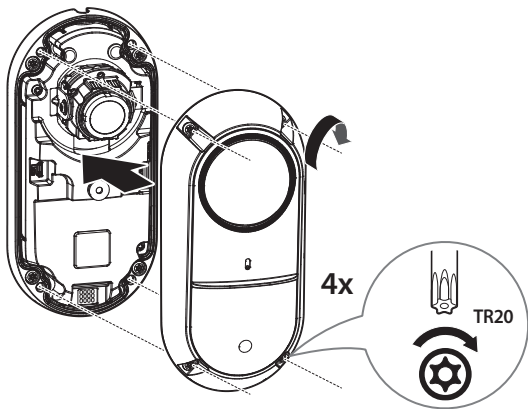


# INSTALLATION

9



10

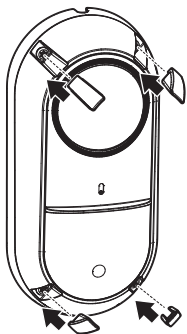


9

## INSTALLATION

---

11



12



10

## パスワード設定

本製品を初めて使用する場合、ログインパスワードを登録する必要があります。

Administrator password change

New password

Confirm new password

- If the password is 8 to 16 characters long, it must include at least 3 of the following character types: English uppercase letters, English lowercase letters, numbers, and special characters ( support up to 64 characters )
- If the password is 10 characters or longer, it must include at least 2 of the following character types: English uppercase letters, English lowercase letters, numbers, and special characters
- ID may not be used as password. The password and ID cannot be identical
- The following special characters can be used: ~!@#%&\*()\_+={}|~" '<>.,?/
- You may not use more than 4 consecutive characters (example: 1234, abcdef, etc.)
- You may not use the same character 4 or more times consecutively (example: 10, 1111, aaaa, etc.)

Apply



- 新しい暗証番号は8文字以上、9文字以下は英大・小文字、数字、記号の中で3種類以上を使用し、10字以上は2種類以上を使用してください。(最大64文字まで可能)
  - 認められている特別文字:  
~!@#%&\*()\_+={}|~" '<>.,?/
- パスワードを設定時、スペースは使用できません。
- 安全性を高めるため、同じ文字を繰り返したり、キーボード上の連続した文字を入力したりするのはお勧めしません。
- パスワードをなくした場合、[RESET]を押して製品を初期化します。そのため、メモ帳を利用したり、記憶したりして、パスワードをなくさないようにしてください。

## ログイン

カメラにアクセスするたびに、ログインウィンドウが表示されます。ユーザーIDとパスワードを入力してカメラにアクセスします。

- 1 <User Name>入力ボックスに"admin"と入力します。
- 2 <Password>入力欄に入力します。
- 3 [Sign in]をクリックします。

## WIFI接続

### カメラ設定

- 1 OTGアダプタ (5ピン) とWiFi DongleをMicro USB端子に接続します。

### スマートフォン設定

- 1 Wisenet Installationアプリケーションをインストールします。
- 2 WiFiをオンにしてから、カメラのSSIDを選択します。
- 3 Wisenet Installationアプリケーションを起動します。
- 4 カメラにログインすると、ビデオに接続されます。
  - 初期接続中は、ログインなしでビデオが再生されます。
- 5 スマートフォンでビデオを視聴しながら、画角を調整することができます。

# HEVC Advance™

Covered by patents at [patentlist.accessadvance.com](http://patentlist.accessadvance.com)



microSD, microSDHC, and microSDXC Logos are trademarks of SD-3C LLC. microSD, microSDHC, microSDXC are trademarks or registered trademarks of SD-3C, LLC in the United States, other countries or both.



Подлежит использованию по назначению  
в нормальных условиях  
Срок службы : 7 лет.

## Türkiye Distribütörü

**EDS Elektronik Destek Sanayi ve Ticaret Ltd. Şti.**

Meclis Mah. Teraziler Cad. Hayran Sk. (Eskisi Kılıç Sk.) No: 4 Sancaktepe / İstanbul / Türkiye  
Tel +90.216.313.25.15

**ENTES ELEKTRONİK CİHAZLAR İMALAT VE TİC. A.Ş.**

Dudullu Org.San.Bölg. 1. Cad. No:23 34776 Ümraniye / İstanbul / Türkiye  
Tel +90.216.313.01.10

**TEKNOMAKS TEKNOLOJİ / TEKNOMAKS BİLİSİM**

MERDİVENKÖY MAH.DİKYOL SOK. BUSINESS İSTANBUL No:2, Kat:7, D:B67, 34732 Kadıköy / İstanbul / Türkiye  
Tel +90.212.217.54.22

Cihazın Ticaret Bakanlığına önerilen ortalama ömrü

Cihazın EEE yönetmeliklerine uygun olduğuna benzer beyan

