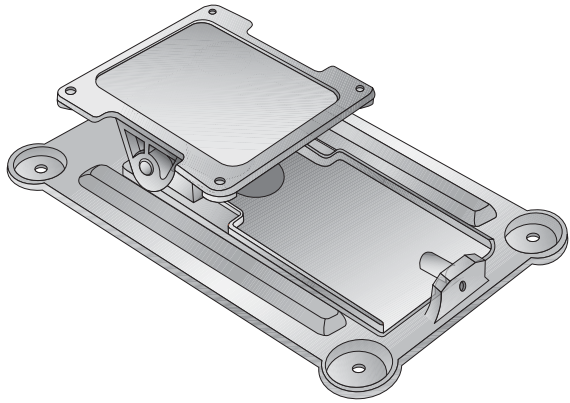


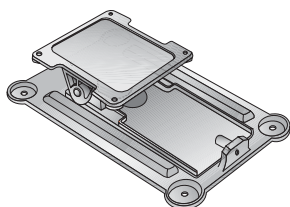
Wall Mounting



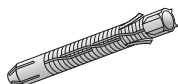
LCD TV Wall Mounting Bracket
Installation and Setup Guide

Wall mounting bracket ● ●

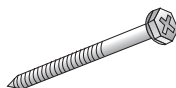
Accessories



LCD TV Wall mounting bracket



4-Wall anchor bolt sleeves



4-Washer attaching bolt for wall mounting



4-Fixing screws
(M4x12)



Installation and Setup
Guide

Contents ● ●

First step

Safety Instructions	4
---------------------------	---

Installation

Installing Wall monution bracket	6
1. Detach the units	6
2. Assemble a TV with the TV mounting bracket	7
3. Fix anchors after marking the positions where units are mounted on the wall	8
4. Install the wall mounting bracket on the Wall	9
5. Assemble a TV with the wall mounting bracket	10

Others

Adjusting Tilt Angle.....	11
Adequate installation space from wall	11
Product specification.....	12


Safety Instructions

- To prevent the accident danger, read this manual and follow the instructions

※ Safety instructions have two kinds of information, and each meaning of it is as blow.

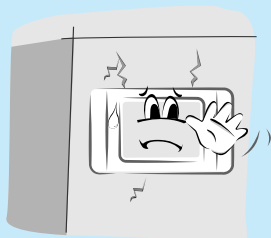
 **WARNING** The violation of this instruction may cause serious injuries and even death.

 **NOTES** The violation of this instruction may cause light injuries or damage of the product.

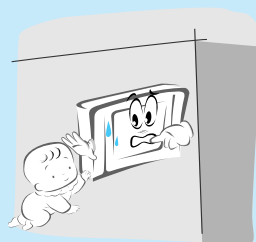
 Take care of danger that may happen under specific condition.


WARNING

Do not install this product on the place where it cannot be supported.
- It may cause the product to fall and could cause injuries.

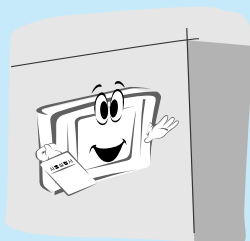


Do not hang on or impact on this product.
- It may cause the product to fall and could cause injuries.

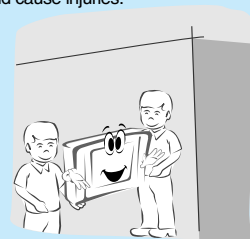



NOTES

Install this product followed by the instruction of the manual
- Otherwise it may cause serious injuries or damage of the product.



Do not install this product by yourself. Get some help from others.
-It may cause the product to fall and could cause injuries.

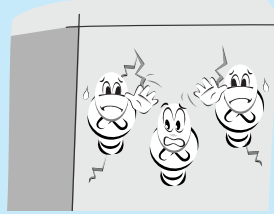



WARNING

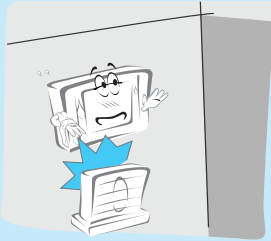
Before installing, check whether the material of wall satisfies the specifications and make sure to use enclosed anchors supplied with the product.
- Otherwise it may cause safety problem.



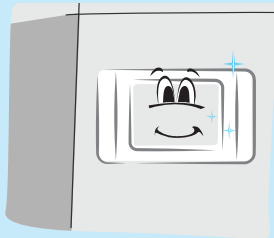
When drilling use drill and drill bit specified by the manufacturer. And the depth of the hole should satisfy the specifications.
- Otherwise it may cause safety problem.



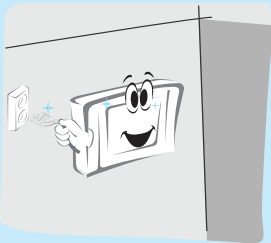
Do not place a heat source (radiator or heater) or a humidifier under the installed product.
- It may cause a fire or could give an electric shock.



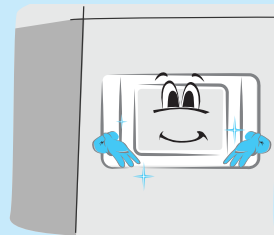
Do not install this product near a sprinkler, a sensor, a high voltage electric line, any power source or the place where impact or vibration can affect.



Make sure to unplug before installing this product.
- Otherwise it may cause a fire or could give an electric shock.



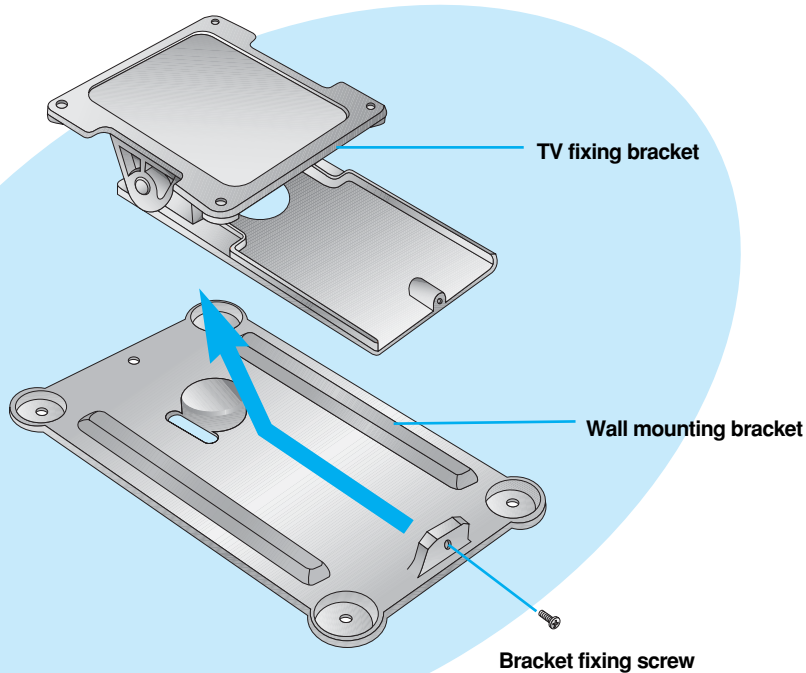
Do not install this product barehanded.
- It may cause injuries.



Installing Wall mounting bracket

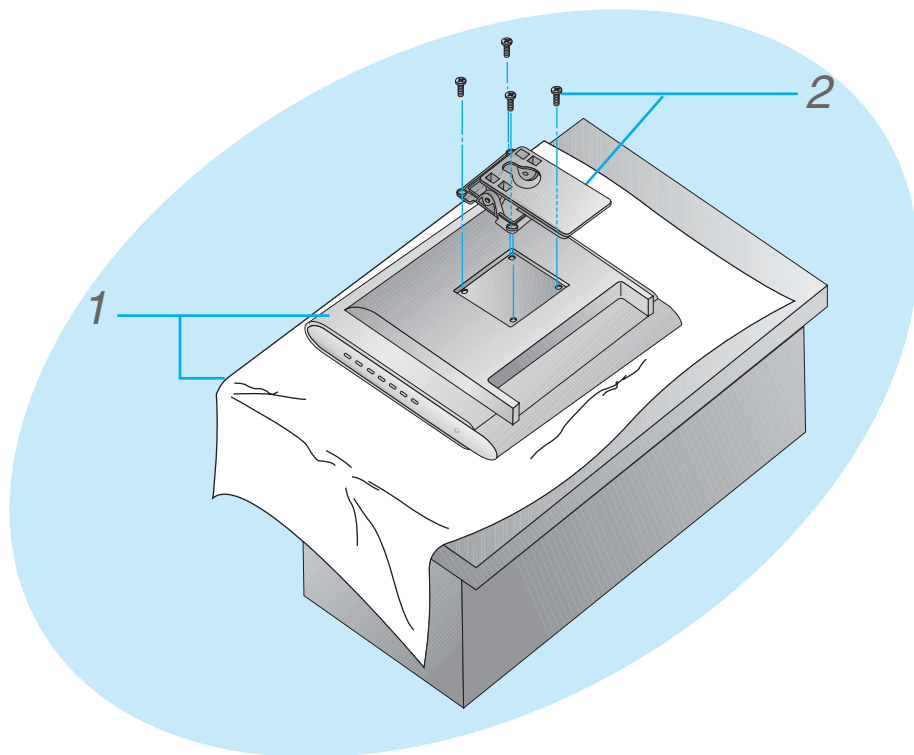
1. Detach the units

- Detach bolt from wall mounting bracket.
- Detach TV fixing bracket from Wall mounting bracket.



2. Assemble a TV with the TV mounting bracket

- Attach the TV fixing bracket to the TV using the fixing screws provided. Before installing this product, turn off the power and disconnect from all cables connected.

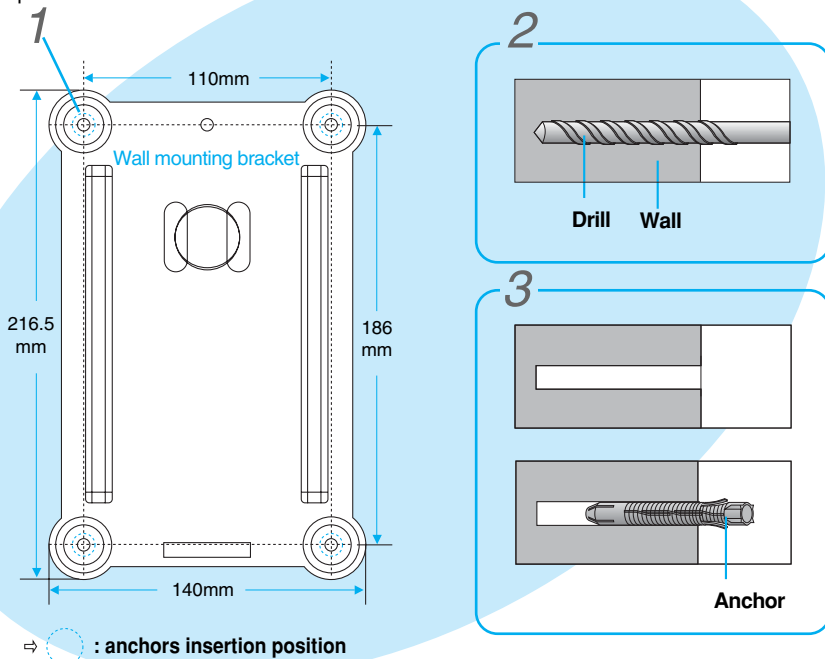


- 1** Carefully place the Monitor screen side down on a cushioned surface that will protect the monitor and screen from damage.
- 2** Insert the TV mounting bracket on the monitor as shown above. Install the 4 fixing screws (M4x12) securely, in the back of the TV in the holes provided. Be sure the bracket hooks are at the top side of the TV.

Installing Wall mounting bracket

3. Fix anchors after marking the positions where units are mounted on the wall

- The surface that the wall mounting bracket is to be mounted on should be of sufficient strength to support the weight of the monitor and speakers typically; concrete, strong/weak natural rock, brick and hollow block.
- Plasterboard is not a sufficiently strong enough material; unless the bolts are anchored into standard construction type studs capable of supporting the weight of the monitor and speakers.

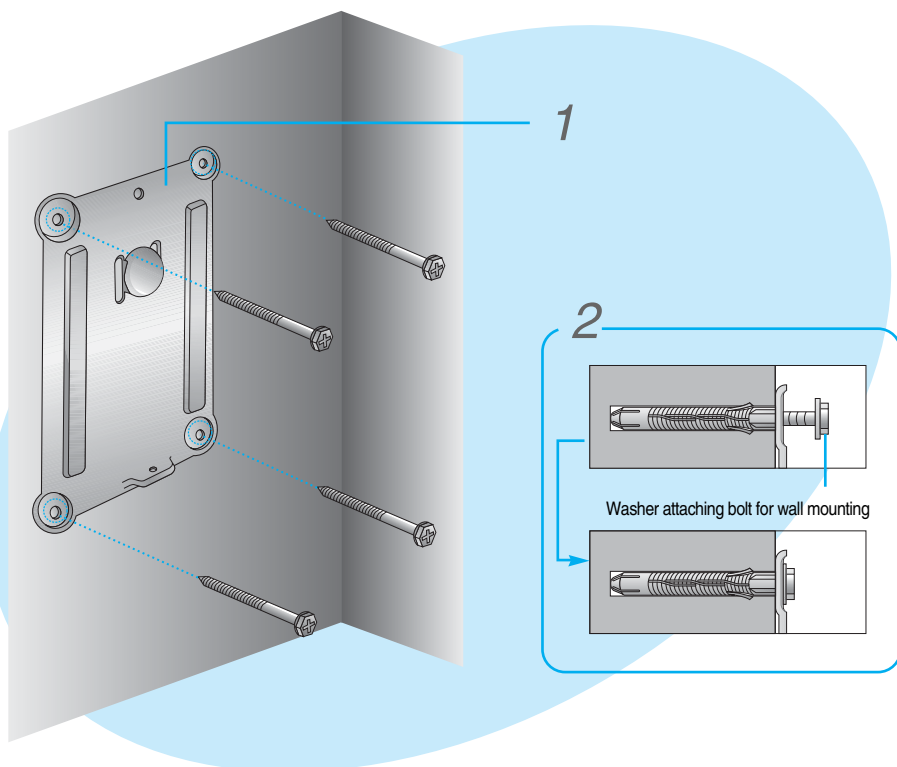


1 Using the hole-drilling template provided, mark the positions of the anchor holes in the wall as above Fig.

2 Drill the hole positions as above Fig. Using an 8mm drill appropriate for the material on the wall, drill each hole to a depth of 80mm-100mm.

3 Clean each drilled hole and Insert an anchor supplied with the wall mounting bracket into each hole.

4. Install the wall mounting bracket on the wall



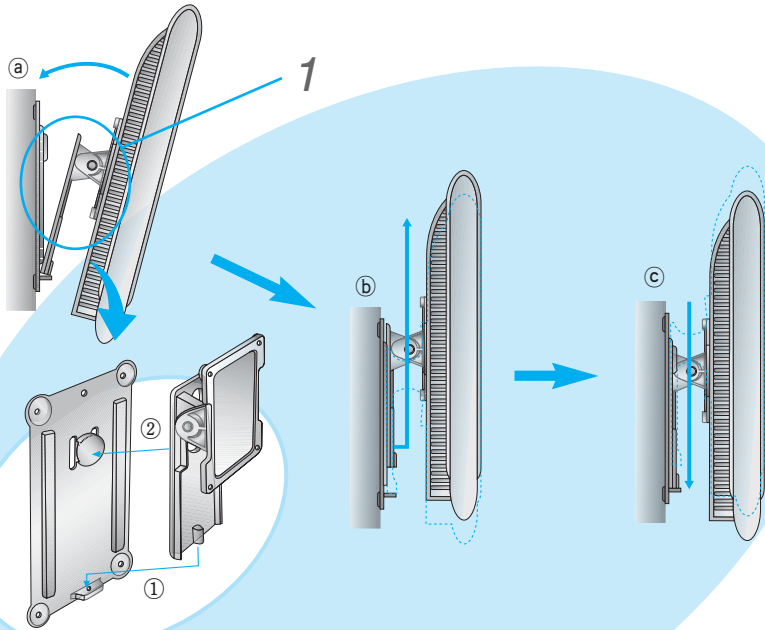
1 Mount the wall mounting bracket on the wall using the 4 washers and bolts supplied.

2 Adjust the fixing bolt head angles as necessary, see above.

Installing Wall mounting bracket

5. Assemble the TV with the wall mounting bracket

- Assemble a TV with the wall mounting bracket installed on the wall as above Fig. Do not install this product by yourself. Get some help from others . It may cause the product to fall and could cause injuries .



- (a) Tilt TV fixing bracket assembled with TV as above Fig, and insert screw to the hole.
(Refer to Fig ① in circle as shown)

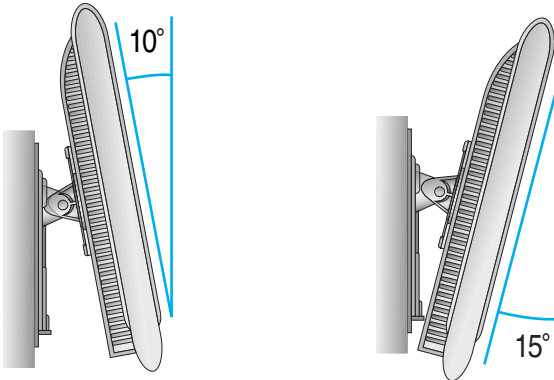
(b, c) Hang TV on a hook(②) by lifting up TV and put down TV after mounting on the wall.

- Fix after assembling the TV as shown Fig. and then insert one fixing screws (M4x12) to each of holes .

Entirely fix the screws otherwise loosely fixed screws may cause the product to fall or separate while adjusting angle.

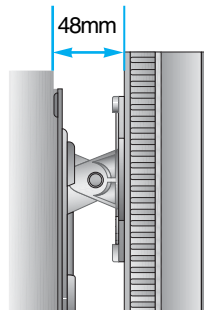
Adjusting Tilt Angle

- Adjust tilt angle range is 10° (upside) and 15° (downside) (Tilt angle can be adjusted after installing wall mounting bracket.)
- Do not adjust Tilt angle with immoderate force. It may cause damage of product or could cause injuries .



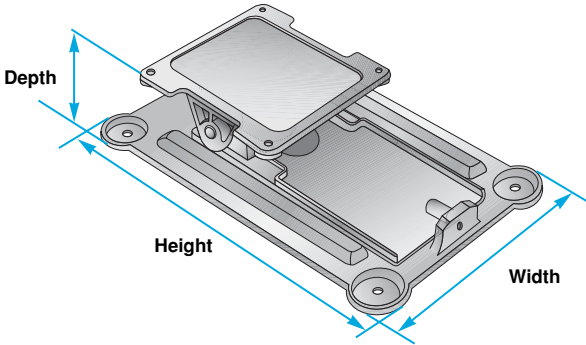
Adequate installation space from the wall

- Leave 48 mm between the TV screen and the wall when installing the VESA compatible adaptor/ interface on the wall.



Installation of TV mounting bracket

Product specification



PRODUCT	LCD TV Wall Mounting Bracket
Width (mm)	140
Height (mm)	216.5
Depth (mm)	48
Weight (kg)	0.93
CAPACITY	LCD/WEIGHT UNDER 10.5 kg

- The specifications shown above may be changed without prior notice for quality improvement.

