

High Resolution 10X PTZ Network Camera

# SNP-1000A

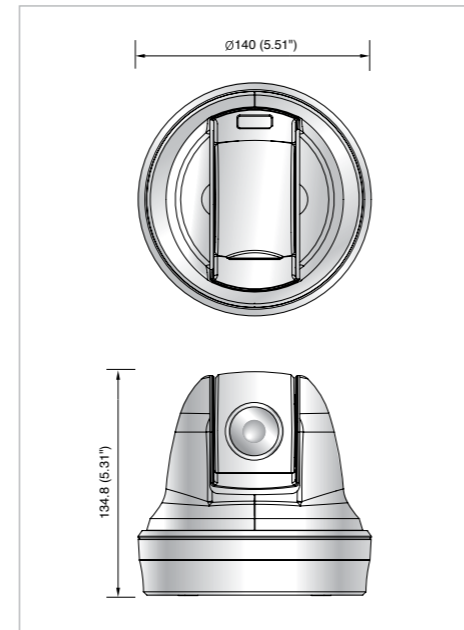


## Specifications

	SNP-1000AN	SNP-1000AP
<b>VIDEO</b>		
Imaging Device	1/4" Interline transfer CCD	
Total Pixels	811(H) x 508(V)	795(H) x 596(V)
Effective Pixels	768(H) x 494(V)	752(H) x 582(V)
Scanning System	2 : 1 Interlace	
Frequency	H : 15.734 KHz / V : 59.94 Hz	H : 15.625 KHz / V : 50Hz
Horizontal Resolution	Color : 520TV lines (Min.), B/W : 570 TV Lines (Min.)	
Min. Illumination	Color : 0.7Lux (50 IRE@F1.8), 0.005Lux (Sens-up, 128X) B/W : 0.02Lux (50 IRE@F1.8)	
S / N (Y signal)	50dB	
On Screen Display	Built-in	
Camera Title	On / Off	
Camera ID	253	
Day & Night	Auto (ICR) / Color / B/W	
Backlight Compensation	On / Off	
Motion Detection	On / Off (Output via communication)	
Privacy Function	On / Off (4 Programmable zones)	
Noise Filter (SSNR)	Low / Medium / High / Off	
Sens-up (Frame Integration)	On / Off (Selectable limit ~ 128X)	
Gain Control	Low / Medium / High / Manual / Off	
White Balance	ATW (Indoor / Outdoor) / AWC / Manual	
Electronic Shutter Speed	Auto (NTSC : 1/60 ~ 1/120,000sec, PAL : 1/50 ~ 1/120,000) / Manual / A.FLK	
<b>LENS</b>		
Zoom Ratio	10X (Optical), 10X (Digital)	
Focal Length	3.8 ~ 38mm (F1.8)	
Max. Aperture Ratio	1 : 1.6(Wide) ~ 2.8(Tele)	
Min. Object Distance	1.5m (4.92ft)	
Angular Field of View	H : 51.2°(Wide) ~ 5.58°(Tele) / V : 39.3°(Wide) ~ 4.27°(Tele)	
Focus	Auto / Manual / One-push	
Zoom Movement Speed	1.67sec	
IRIS Control	Auto / Manual	
<b>PAN / TILT</b>		
Panning Range	350°	
Panning Speed	Preset : 140°/sec / Manual : 0.5° ~ 70°/sec	
Tilting Range	-5° ~ 185°	
Tilting Speed	Preset : 100°/sec / Manual : 0.5° ~ 50°/sec	
Preset Positions	128	
Preset Accuracy	±1.0°	
PTZ Mode	Preset, Swing, Group, Tour, Trace, A. Pan	
<b>PERFORMANCE</b>		
Encoding	Resolution	Up to 704 x 480
	Compression	MPEG-4 / JPEG selectable
	Encode Rate	Up to 30fps@704 x 480
Network	Transmission Speed	Up to 100Mbps
	Max. Remote Users	20 Simultaneously
	Protocol Support	TCP/IP, DHCP, DNS, DDNS, HTTP, SMTP, FTP and NTP
Security	Area Zoom	Web viewer, SNM-128S/P (CMS)
Security	Password Protection	5 User level
<b>INTERFACE</b>		
Monitor	Output	1 BNC (520TV lines)
	Input	1 Line / MIC in, Mono, 1Vpp
Audio	Output	1 Line out, Line level, 1Vpp
	Compression	ADPCM
Alarm	Sampling rate	8KHz
	Inputs	Terminal 2 input, NO/NC
	Outputs	Terminal 1 output, NO/NC
Connections	Remote Notification	Via e-mail or FTP
Storage	Ethernet	RJ-45 10/100 Base-T
GENERAL	SD(SDHC) Memory	N/A
Input Voltage	12V DC	
Power Consumption	Max. 6W	
Operating Temperature	0°C ~ +40°C	
Operating Humidity	20% ~ 75% RH	
Dimension (WxH)	Ø140 x 134.8mm (Ø5.51" x 5.31")	
Weight	0.85Kg (1.87 lb)	
Ingress Protection	IP67 (Optional housing)	

## Dimensions

Unit : mm (inch)



## Option (Accessories)

### Wall Bracket



STB-230PW

STB-280PW

### Indoor Housing



STH-1000PO

STH-1000PI

Optical **10X** A/F Zoom  
via **Network**



Area Zoom function

# SNP-1000A

imagine Surveillance beyond Time & Space

The SNP-1000A is an compact high resolution PTZ network camera with a built-in 10X A/F zoom lens. The SNP-1000A supports MPEG-4/JPEG compression, fast 30fps VGA-class image transmission, bi-directional audio, remote PTZ control, and many more functions, ensuring a 24 hour convenient, clear network surveillance anytime anywhere.



The Eco mark represents Samsung Techwin's will to create environment-friendly products, and indicates that the product satisfies the EU RoHS Directive.

Design and specifications are subject to change without notice.



**SAMSUNG TECHWIN CO., LTD.**  
145-3, Sangdaewon 1-dong, Jungwon-gu, Seongnam-si, Gyeonggi-do Korea 462-703  
Tel : +82-31-740-8151 ~ 8 Fax : +82-31-740-8145  
www.samsungcctv.com

**SAMSUNG TECHWIN AMERICA**  
1480 Charles Willard St. Carson, CA 90746, UNITED STATES  
Toll Free : +1-877-213-1222 Fax : +1-310-632-2195  
www.samsungcctvusa.com

**SAMSUNG OPTO-ELECTRONICS UK, LTD.**  
Samsung House, 1000 Hillwood Drive, Hillwood Business Park  
Chertsey, Surrey, UNITED KINGDOM KT16 0PS  
Tel : +44-1932-45-5308 Fax : +44-1932-45-5325

**TIANJIN SAMSUNG OPTO-ELECTRONICS CO., LTD.**  
No.9 Zhangsheng Street, Micro-Electronic Industrial Park  
Jingang Road, Tianjin, P.R. CHINA 300385  
Tel : +86-22-23887788-8503 Fax : +86-22-23887788-8505

■ DISTRIBUTED BY



I.D-0809



**SAMSUNG TECHWIN**



VGA high resolution images, Real-time network transmission!  
A large area can be captured, using the optical 10X zoom-in, and Pan & Tilt.

128 Channel Network Management,  
128 Preset Automatic Surveillance  
Sharp, Clear 100X images via the internet anytime, anywhere!



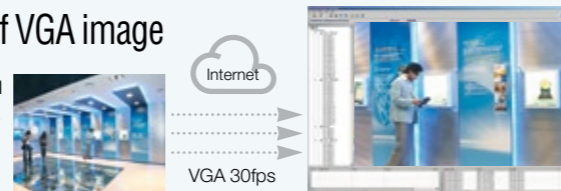
## Stylish *iPOLiS* Network Monitoring High Resolution 10X PTZ Network Camera **SNP-1000A**

### NETWORK



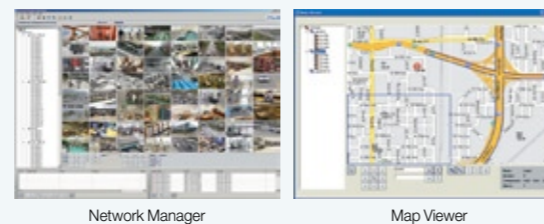
#### MPEG-4/JPEG compression, 30fps transmission of VGA image

The SNP-1000A enables the user to select MPEG-4 or JPEG compression depending on the environment. Its network performance allows a 30fps real-time transmission of VGA image high resolution images.



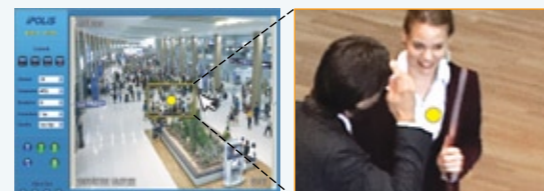
#### Powerful integrated management of up to 128 channels

The Exclusive 'Network Manager' software(SNM-64S/P) offers a powerful function that enables the integrated management of up to 128 network and DVR units at a time. The Network Manager allows an enhanced alarm/event notification, a Map function, Max. 3 monitor connection, etc. The SNP-1000A also supports a Web Viewer that enable users to check the surveillance area at anytime, anywhere via internet without an application software.



#### Area Zoom function **NEW**

SNP-1000A supports a new remote PTZ feature, Area Zoom. With the area zoom feature, the user can drag the mouse over a desired area and the SNP-1000A will pan, tilt and zoom automatically to a selected area of an image up to 10x optically. This new feature gives user the ability to view an image quickly and accurately with a click of a mouse.



### CAMERA



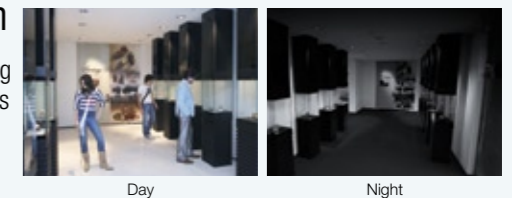
#### Optical 10X. Up to 100X zoom

The SNP-1000A has a built-in 10X A/F zoom lens, and provides up to 100X magnification of surveillance areas. The camera also has a high speed pan/tilt function to quickly capture even a large area.



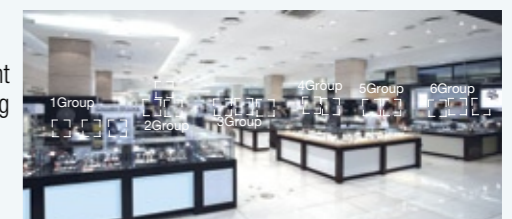
#### Low light of 0.005Lux and an ICR Day & Night function

The SNP-1000A enables the user to observe a surveillance subject clearly, using the smallest amount of light, and also has an ICR Day & Night function that provides high quality images even at night.



#### 128 Preset, Automatic surveillance functions

The SNP-1000A can be preset in terms of timing and method to suit up to 128 different surveillance areas, and the camera then automatically performs surveillance according to the preset conditions.



#### Additional function

- Bi-directional audio transmission
- Remote PTZ control, Analogue images output
- Digital Image Stabilizer and Digital Flip support
- Convenient installation, Various accessories